

ASSAMBLY INSTRUCTIONS

Serie 1335 NEN



WARNING: FAILURE TO COMPLY WITH OR OBSERVE ALL ASSEMBLY, SAFETY AND OPERATION INSTRUCTIONS AND WARNINGS REGARDING THE USE OF THIS PRODUCT MAY RESULT IN SERIOUS BODILY INJURY.

Important information

Read the entire instruction manual before you can start installation and assembly.

This product is not intended for use by young children without supervision.

This product is intended for indoor use only. Using this product outdoors could lead to product failure and personal injury.

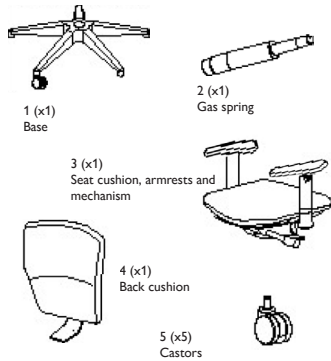
Important: Ensure that you have received all parts according to the component checklist prior to installation. If any parts are missing or faulty, telephoneyour local distributor for a replacement.

Do not stand on this chair, do not use this chair as a step ladder.

Only use this product for placing one person at a time.

Do not use this chair unless all bolts, screws and knobs are properly tightened. Failure to heed these warnings could result in serious injury.

COMPONENTS

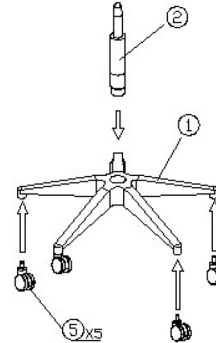


M8x16 (x3)



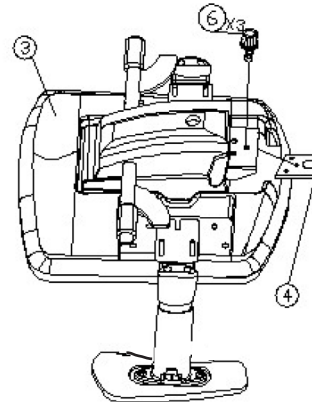
1- Assemble gas spring & castors

- Slide the gas spring and castors into the base as shown below



2- Assemble back cushion

- Turn the seat upside down.
- Slide the back into the mechanism and fasten it at three points with the M8x16 bolts.



3- Secure the seat

- Turn the seat over and push the opening in the gas spring. The seat should not be loose
- The chair is now ready for use

